

CMRI CERT NO. :- CIMFR/TC/SR/H483  
 SUPPLE. T.C. NO. :- CIMFR/TC/S/H144  
 CAT. NO./TYPE NO. :- KJB-A-02

TECHNICAL DATA

ENCLOSURE :-  
 EX-d AS PER IS/IEC 60079-1:2007

PROTECTION :-  
 IP-66 AS PER IS 12063-1987 (IS/IEC 60529:2001)

AREA CLASSIFICATION :-  
 ZONE -1 & 2

TEMPERATURE CLASS :-  
 T6

GAS GROUPS :-  
 IIB

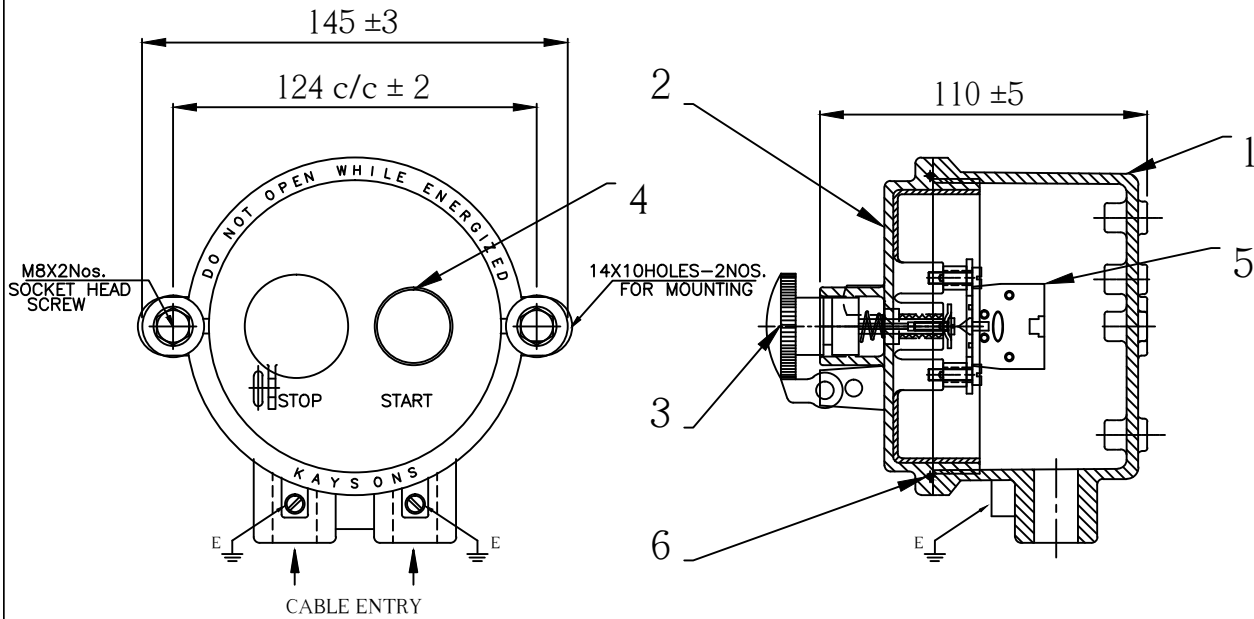
MATERIAL OF CONSTRUCTION :-  
 DIE CAST AL. ALLOY LM-6

HARDWARE :-  
 STEEL ZINC PLATED/STAINLESS STEEL

FINISH :-  
 LIGHT GREY

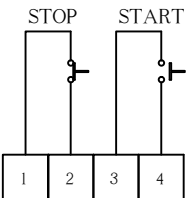
EARTHING :-  
 1 NO. INSIDE & 2 NOS. OUTSIDE

CABLE ENTRY :-  
 M20x1.5P / 3/4"ET - 2NOS.



06.	GASKET (ENDLESS, MOULDED)	1	NEOPRENE
05.	CONTACT ELEMENTS (1NO+1NC)	2	-
04.	ACTUATOR GREEN SHROUDED	1	P.P.
03.	ACTUATOR RED-MUSHROOM HEAD	1	P.P.
02.	MAIN BODY COVER	1	DIE CAST AL. ALLOY
01.	BODY	1	DIE CAST AL. ALLOY
NO.	DESCRIPTION	QTY	MAT./RATING

WIRING DIAGRAM



CLIENT :-	DRAWN KPB 1.8.13	DESCRIPTION:-
CONSULTANT :-	APP'D HPB 1.8.13	FLP WP CONTROL STATION
P.O.NO. :-	CH'D NPB 1.8.13	WITH START-STOP PUSH BUTTON
		SHT.NO. 1 OF 1
1802/7, G.I.D.C. ESTATE, V.U.NAGAR 388121. (GUJARAT)		REV. 0
		DRG.NO.:- B21

THE INFORMATION CONTAINED IN THIS DRAWING IS THE PROPERTY OF KAYSONS TECHNO EQUIPMENTS PVT. LTD. AND IS NOT TO BE COPIED OR MISUSED IN ANY WAY.

ISSUE	DATE	BY	MODIFICATION